

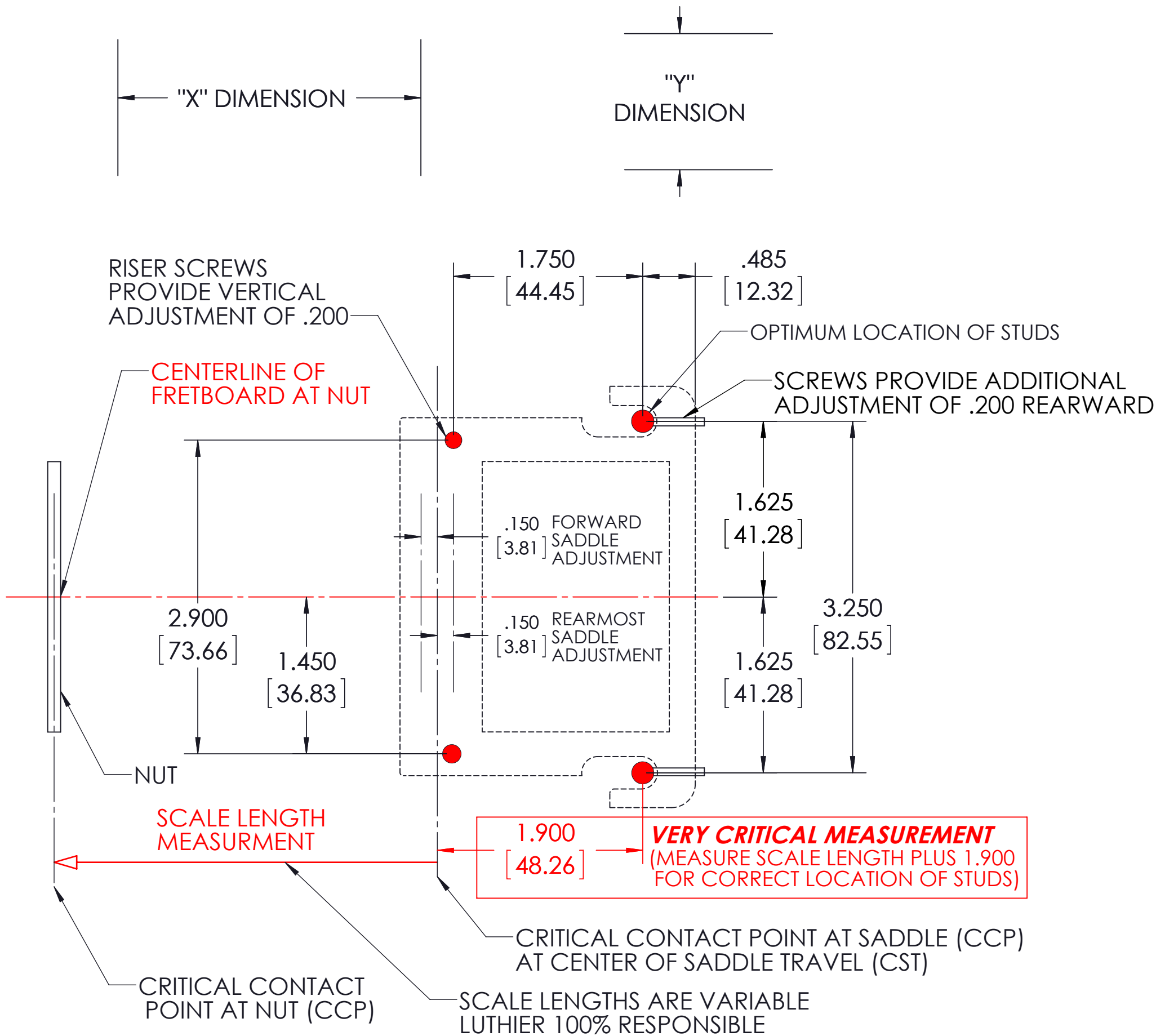
INSTALLATION INSTRUCTIONS

FOR TREMOLO BRIDGES 2200, 2210, 2215, 2220
SIX STRING SERIES



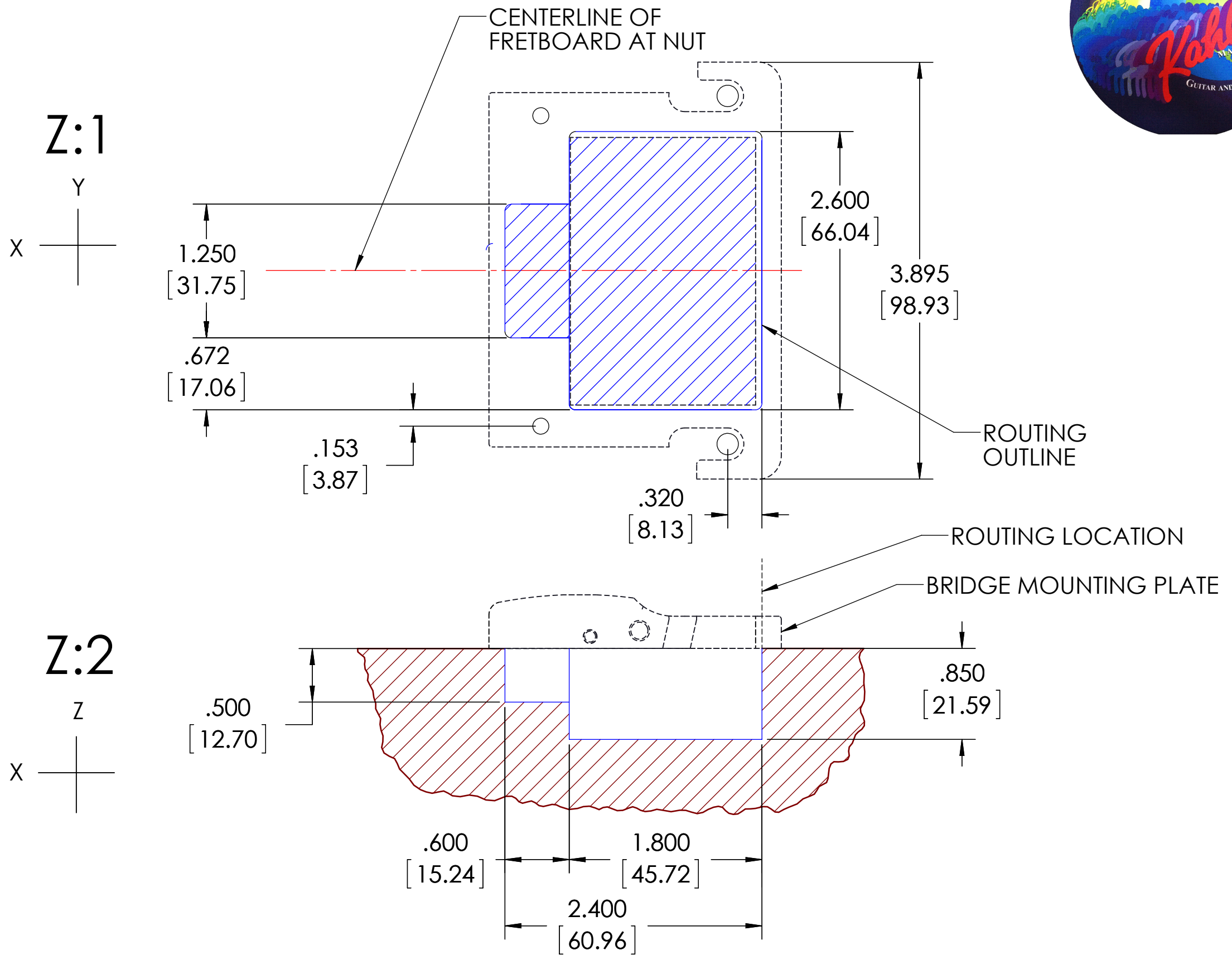
X : LOCATION OF STUD MOUNTING HOLES (USE CENTERLINE OF FRETBOARD).
SCALE LENGTH MEASUREMENT FOR CORRECT INTONATION IS FROM CRITICAL CONTACT POINT (CCP) AT NUT AND TO THE CENTER OF SADDLE TRAVEL (CST).

Y : LOCATION OF (2) STUD MOUNTING HOLES (USE CENTERLINE OF FRETBOARD)
ALIGNMENT LEFT & RIGHT FOR CORRECT STRING LOCATION ON FRETBOARD. (NOTE: L-R SADDLE ADJUSTMENTS ON BRIDGE).

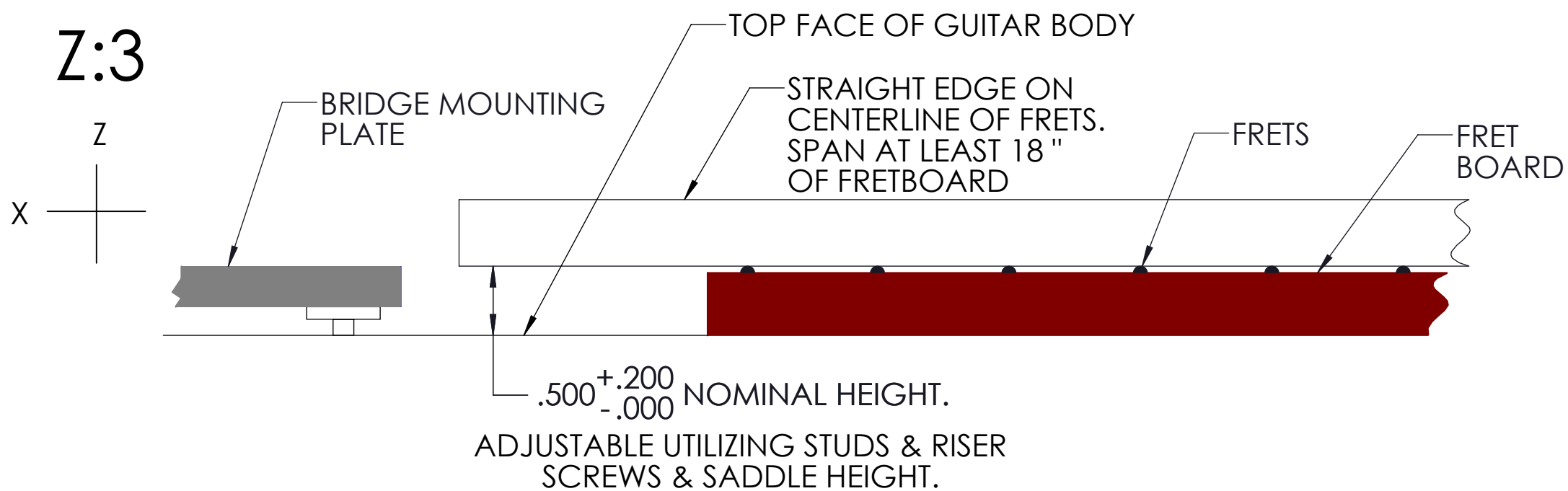


DWG is to offer assistance to a qualified Luthier. We do not guarantee 100% satisfaction on this DWG, therefore the Luthier is 100% responsible for the measurements and routings.	KAHLER INTERNATIONAL INC.		
	TITLE:	LOCATION MEASUREMENTS ASSY: 2200, 2210, 2215, 2220	
	DWG. NO.	5790RIMA	
	DRAWN: TASC	DATE: 03/21/11	SCALE: 1:1

LOCATION FOR ROUTING SHAPE AND DEPTH FOR CORRECT CAM AND SPRING ACTION



BRIDGE MOUNTING PLATE LOCATION AND HEIGHT MEASUREMENT FOR **CORRECT STRING ACTION**



DWG is to offer assistance to a qualified Luthier. We do not guarantee 100% satisfaction on this DWG, therefore the Luthier is 100% responsible for the measurements and routings.	KAHLER INTERNATIONAL INC.		
	TITLE: ROUTING/FRET HT. MEASUREMENTS ASSY: 2200, 2210, 2215, 2220		
	DWG. NO. 5790RIMA		
	DRAWN: TASC	DATE: 03/21/11	SCALE: 1:1