

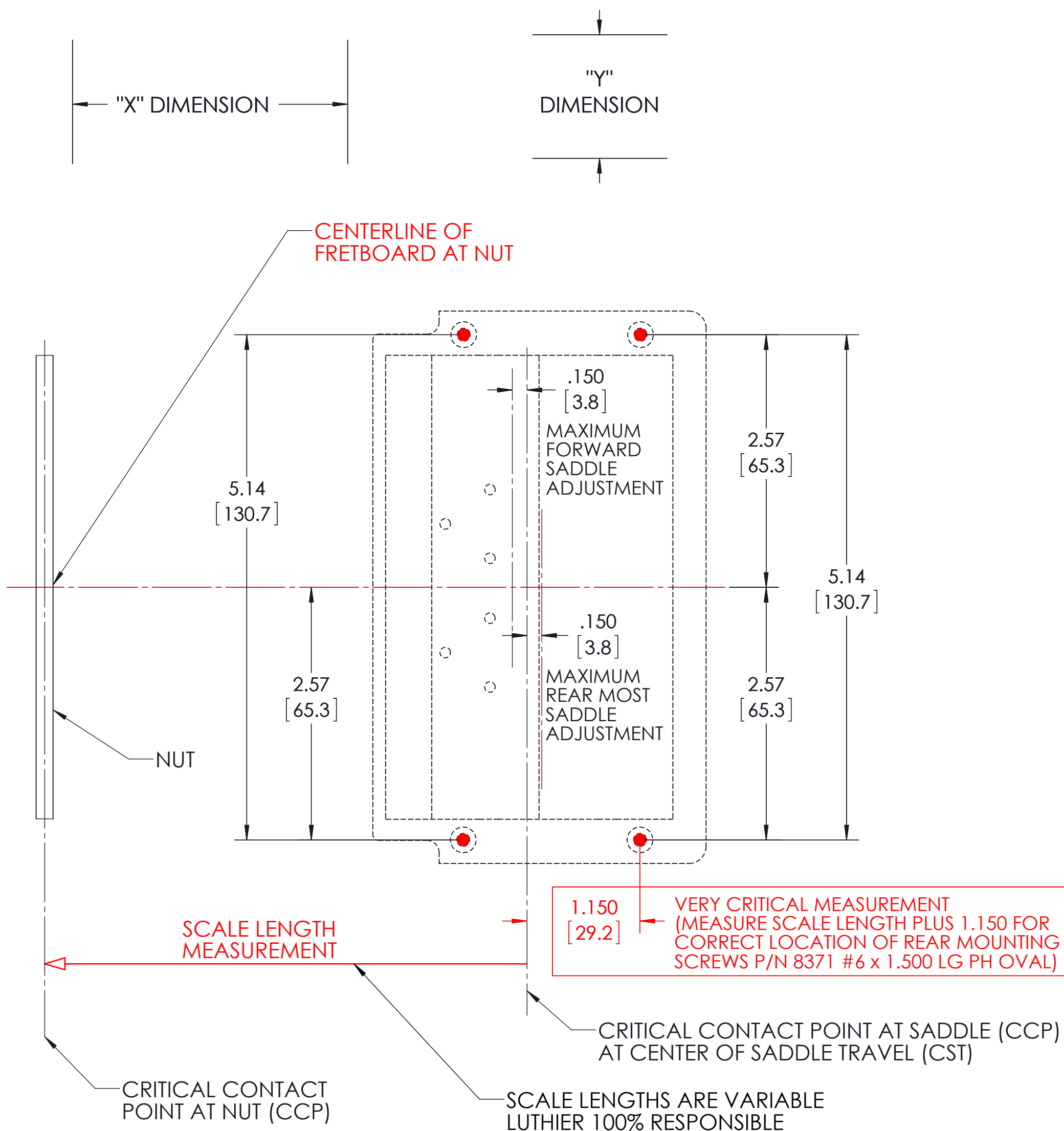
## INSTALLATION INSTRUCTIONS

FOR TREMOLO BRIDGES 2418R-XW6, 2418R-W7, 2418R-N8  
 (REARWARD SADDLE INTONATING ONLY)



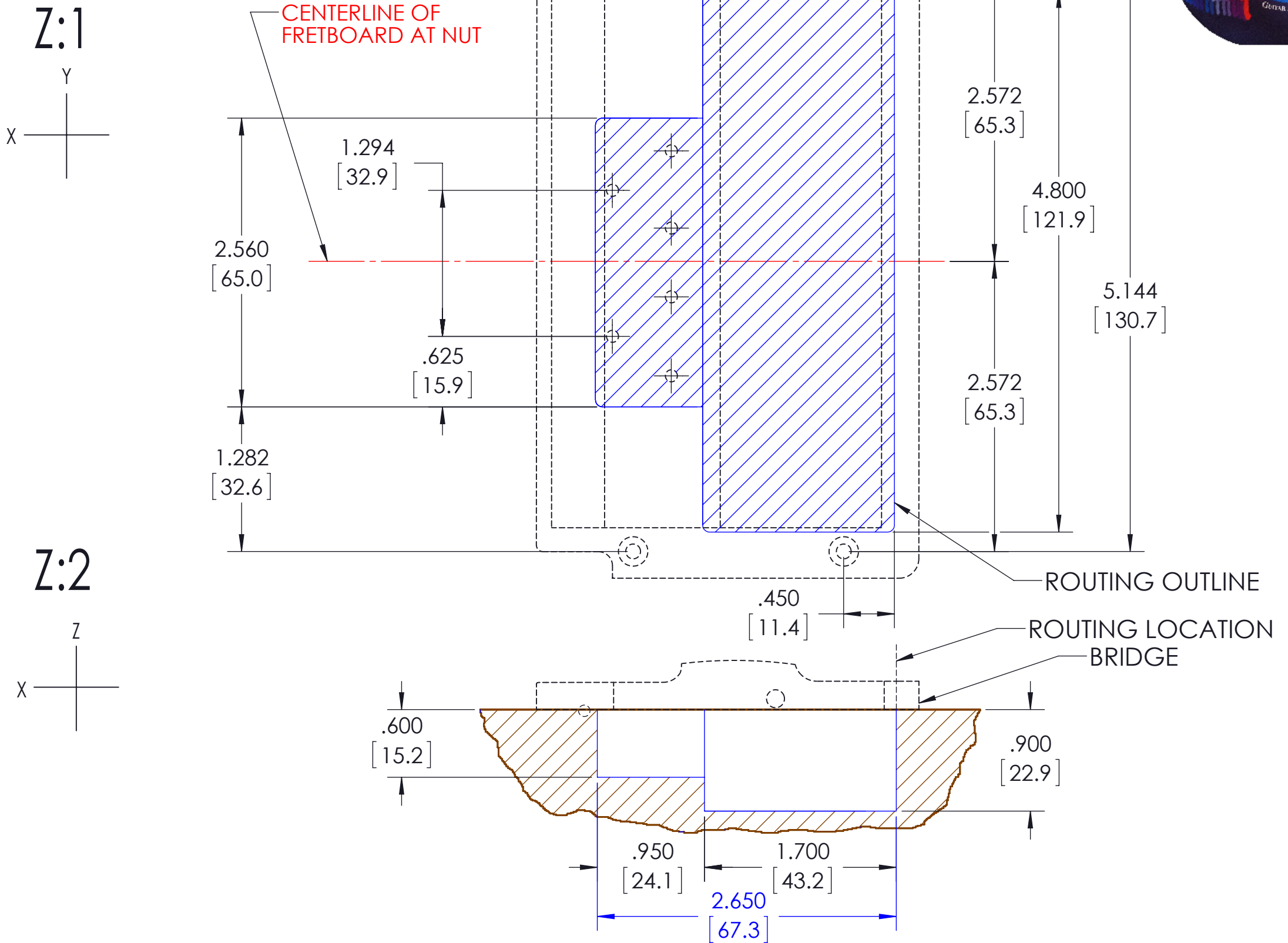
**X**: LOCATION OF (2) FRONT MOUNTING HOLES (USE CENTERLINE OF FRETBOARD).  
**SCALE LENGTH MEASUREMENT FOR CORRECT INTONATION** IS FROM CRITICAL CONTACT POINT (CCP) AT NUT AND TO THE CENTER OF SADDLE TRAVEL (CST).

**Y**: LOCATION OF (2) REAR MOUNTING HOLES (USE CENTERLINE OF FRETBOARD)  
**ALIGNMENT LEFT & RIGHT FOR CORRECT STRING LOCATION** ON FRETBOARD. (NOTE: L-R SADDLE ADJUSTMENTS ON BRIDGE).

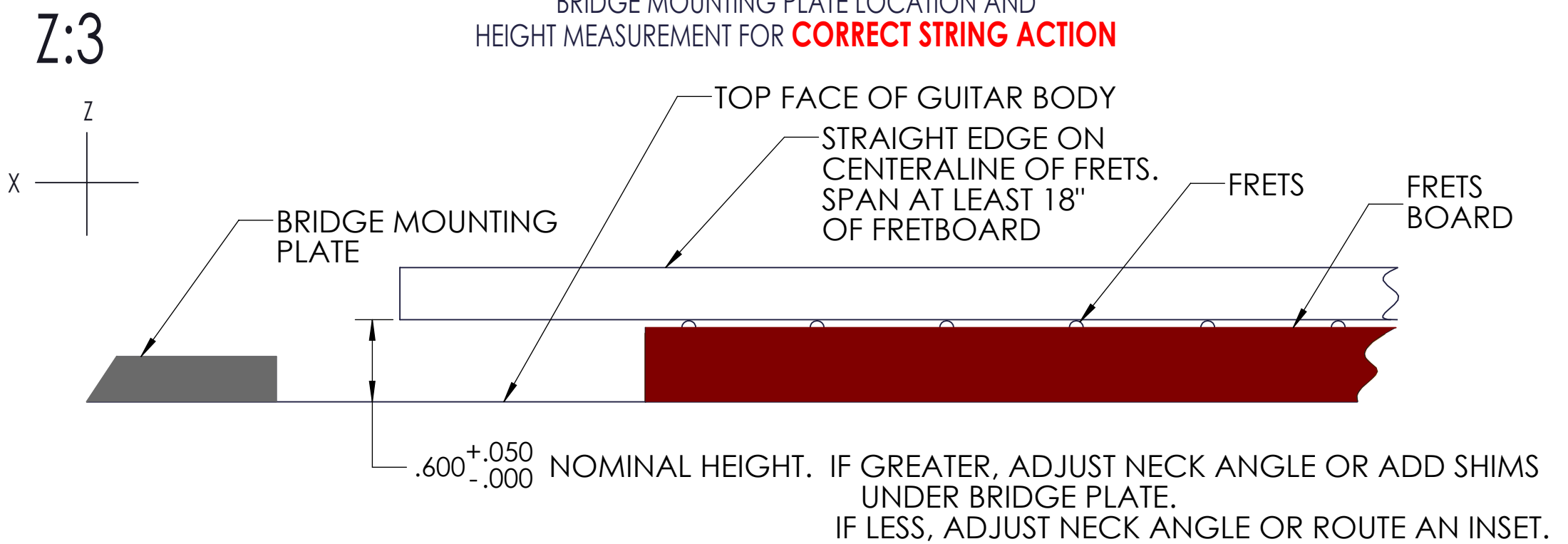


DWG is to offer assistance to a qualified Luthier. We do not guarantee 100% satisfaction on this DWG, therefore the Luthier is 100% responsible for the measurements and routings. "A GUIDE ONLY"	KAHLER INTERNATIONAL INC.		
	TITLE: LOCATION MEASUREMENTS ASSY: 2418R-XW6, 2418R-W7, 2418R-N8		
	DWG. NO. 6244RIMA		
	DRAWN: TASC	DATE: 03/21/11	SCALE: 1:1

LOCATION FOR ROUTING SHAPE AND DEPTH FOR  
**CORRECT CAM AND SPRING ACTION**



BRIDGE MOUNTING PLATE LOCATION AND  
 HEIGHT MEASUREMENT FOR **CORRECT STRING ACTION**



DWG is to offer assistance to a qualified Luthier. We do not guarantee 100% satisfaction on this DWG, therefore the Luthier is 100% responsible for the measurements and routings. "A GUIDE ONLY"				<b>KAHLER INTERNATIONAL INC.</b>					
				TITLE:		ROUTING/FRET HT. MEASUREMENTS		ASSY: 2418R-XW6, 2418R-W7, 2418R-N8	
				DWG. NO.		6244RIMA			
				DRAWN:	TASC	DATE:	03/21/11	SCALE:	1:1